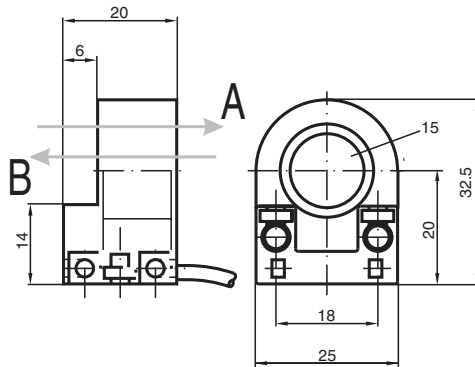


Inductive ring sensor RC15-14-N3

- 15 mm inside diameter
- Bistable
- Direction detection
- High passage speed
10 m/s



Dimensions



Technical Data

General specifications

Switching function	Normally closed (NC)
Output type	NAMUR, bistable
Inside diameter	15 mm
Measuring cylinder	Fe-metal
Diameter	3 mm
Length	4 mm
Passage speed	v ≤ 10 m/s
Output type	2-wire

Nominal ratings

Nominal voltage	U_o	8.2 V (R_i approx. 1 k Ω)
Operating voltage	U_B	5 ... 25 V
Hysteresis	H	typ. 1 %
Reverse polarity protection		reverse polarity protected
Current consumption		
Traverse B		3 mA
Traverse A		1 mA
Time delay before availability	t_v	≤ 5 ms

Functional safety related parameters

MTTF _d	2240 a
-------------------	--------

Release date: 2023-01-27 Date of issue: 2023-01-27 Filename: 051667_eng.pdf

Refer to "General Notes Relating to Pepperl+Fuchs Product Information".

Pepperl+Fuchs Group
www.pepperl-fuchs.com

USA: +1 330 486 0001
fa-info@us.pepperl-fuchs.com

Germany: +49 621 776 1111
fa-info@de.pepperl-fuchs.com

Singapore: +65 6779 9091
fa-info@sg.pepperl-fuchs.com

PEPPERL+FUCHS

Technical Data

Mission Time (T _M)	20 a
Diagnostic Coverage (DC)	0 %
Compliance with standards and directives	
Standard conformity	
NAMUR	EN 60947-5-6:2000 IEC 60947-5-6:1999
Standards	EN 60947-5-2:2007 EN 60947-5-2/A1:2012 IEC 60947-5-2:2007 IEC 60947-5-2 AMD 1:2012
Approvals and certificates	
ATEX approval	
Equipment protection level Gb	PTB 99 ATEX 2128 X
FM approval	
Control drawing	116-0165
UL approval	cULus Listed, General Purpose
CSA approval	cCSAus Listed, General Purpose
Ambient conditions	
Ambient temperature	-20 ... 70 °C (-4 ... 158 °F)
Storage temperature	-40 ... 100 °C (-40 ... 212 °F)
Mechanical specifications	
Connection type	cablc PVC , 2 m
Core cross section	0.14 mm ²
Housing material	PBT
Degree of protection	IP67
Cable	
Bending radius	> 10 x cable diameter
General information	
Use in the hazardous area	see instruction manuals

Connection

